



# **All Sport® Junior Portable Scoreboard**

---

## **Operation Manual**

Model BB-114-CL With Current Loop Input

**ED-7203**

All Sport® is a registered trademark of Daktronics, Inc.

**ED-7203**

**Product # 1088**

**Rev. 3 - 18November98**

**Copyright © 1993 Daktronics, Inc.**

All rights reserved. While every precaution has been taken in the preparation of this manual, the publisher assumes no responsibility for errors or omissions. No part of this book covered by the copyrights hereon may be reproduced or copied in any form or by any means - graphic, electronic, or mechanical, including photocopying, taping, or information storage and retrieval systems - without written permission of the publisher.



**DAKTRONICS, INC.**

***Setting New Standards Worldwide***

P.O. Box 5128 331 32nd Ave. Brookings, SD 57006  
Phone (605)697-4400 or (800)843-9879 Fax 697-4444





# Table of Contents

---

<b>1. Setup</b> .....	<b>1-1</b>
1.1 Connections .....	1-1
1.2 Wall Mounting .....	1-1
<b>2. Service</b> .....	<b>2-1</b>



# Section 1: Setup

---

## 1.1 Connections

---

**Reference Drawing:** Display, All Sport Jr, BB-114-CL . . . . . **Drawing A-59112**

Connect the All Sport Junior's power cord to a 120V AC outlet. Connect the 1/4" phone plug on the end of the signal cable to the mating jack in the back of the console. See the operating instructions for the All Sport console for further operating instructions.

The BB-114-CL display uses the same signal format as Daktronics BB-18 family of basketball scoreboards. If this display is to be operated simultaneously with Daktronics model BB-17 or BB-10 scoreboards, a multi-output console is required. With an All Sport 2600 console, the BB-114-CL display is to be connected to output 1 (red and black wires on the 16-pin J-box), with the BB-17 or BB-10 connected to output 4 (wire colors white/black and red/black).

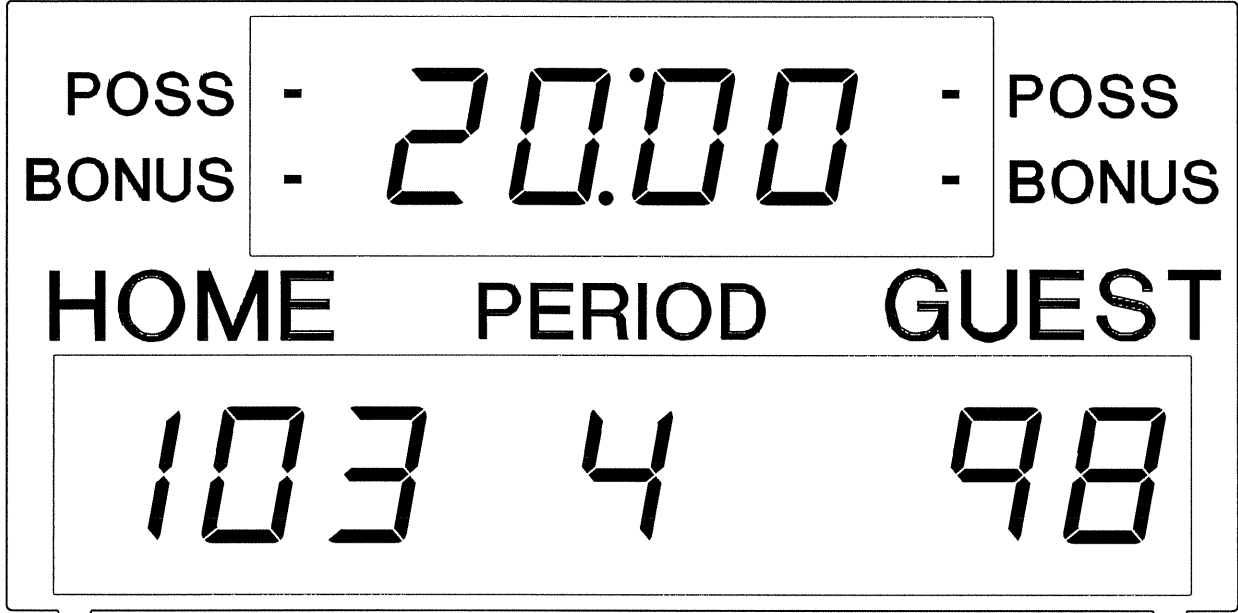
## 1.2 Wall Mounting

---

**Reference Drawing:** Rear View, BB-144-CL . . . . . **Drawing A-59113**

The wall mounting brackets are located in the rear recess. Attach them to the rear of the display using the screws provided, as shown in **Drawing A-59113**. Secure the brackets to the wall with no. 10 or 1/4" hardware (not provided). When the display is to be hung on the wall, route the power and signal cords through the grooves in the back.





OVERALL DIMENSIONS:

18" HIGH, 36" WIDE, 6" DEEP

APPROXIMATE WEIGHT: 20 LBS.

DIGITS ARE 4" HIGH

DISPLAY CABINET IS MOLDED POLYETHYLENE

CABINET COLOR IS BLACK

CAPTIONS ARE WHITE

HOME AND GUEST CAPTIONS ARE 2" HIGH

PERIOD CAPTION IS 1.6" HIGH

POSS AND BONUS CAPTIONS ARE 1.2" HIGH.

POWER CONSUMPTION: 40 WATTS MAX

REQUIRES A 120V AC CIRCUIT

OPERATES FROM A DAKTRONICS ALL SPORT<sup>®</sup> CONTROL CONSOLE

DAKTRONICS, INC. BROOKINGS, SD 57006

PROJ:

TITLE: DISPLAY, ALL SPORT JR, BB-114-CL

DES. BY: AVB

DRAWN BY: A VANBEMMEL

DATE: 22OCT93

REVISION

APPR. BY:

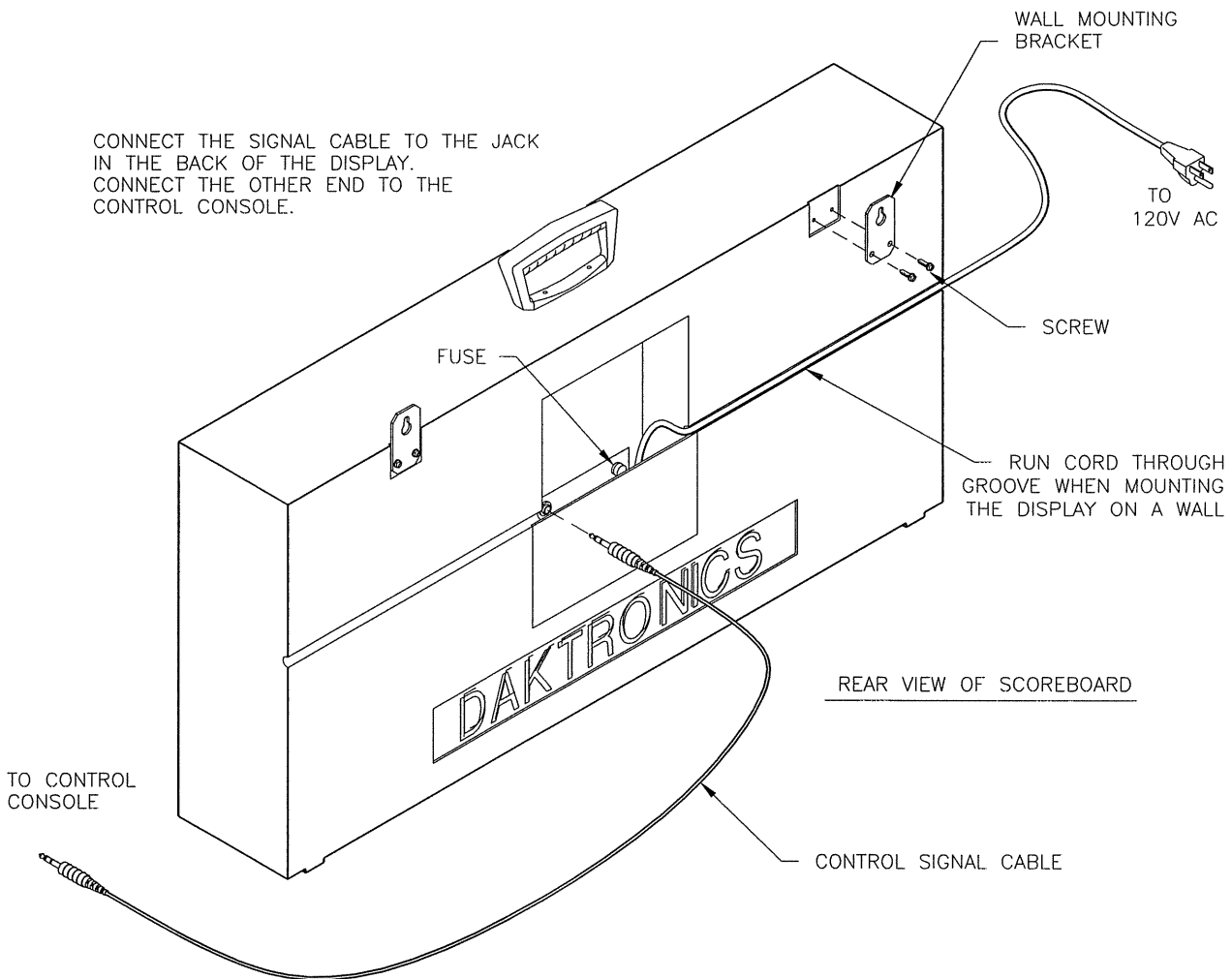
SCALE: 1=5

1088-R08A-59112

REV.	DATE	DESCRIPTION	BY	APPR.

WALL MOUNTING PROCEDURE:

1. ATTACH WALL MOUNTING BRACKETS TO THE HOLES IN THE BACK OF THE SCOREBOARD USING THE SCREWS PROVIDED. BE SURE THAT THE PAINTED SIDE IS TO THE FRONT. BE CAREFUL NOT TO OVER-TIGHTEN THE SCREWS.
2. SECURE THE BRACKETS TO THE WALL WITH NO. 10 OR 1/4" HARDWARE.
3. ROUTE THE POWER AND SIGNAL CORDS OUT THROUGH THE GROOVES IN THE BACK WHEN THE SCOREBOARD IS HUNG ON THE WALL.



DAKTRONICS, INC. BROOKINGS, SD 57006			
PROJ: PORTABLE SCOREBOARD			
TITLE: REAR VIEW, BB-114-CL			
DES. BY: AVANBE		DRAWN BY: AVANBE	
		DATE: 22OCT93	
REVISION	APPR BY:	1088-R10A-59113	
	SCALE: 1=8		

REV.	DATE	DESCRIPTION	BY	APPR.



## Section 2: Service

---

**Reference Drawings:** Schematic, PWR/SIG, BB-144-CL ..... **Drawing A-57571**  
Component Locations, BB-114-CL ..... **Drawing A-109626**

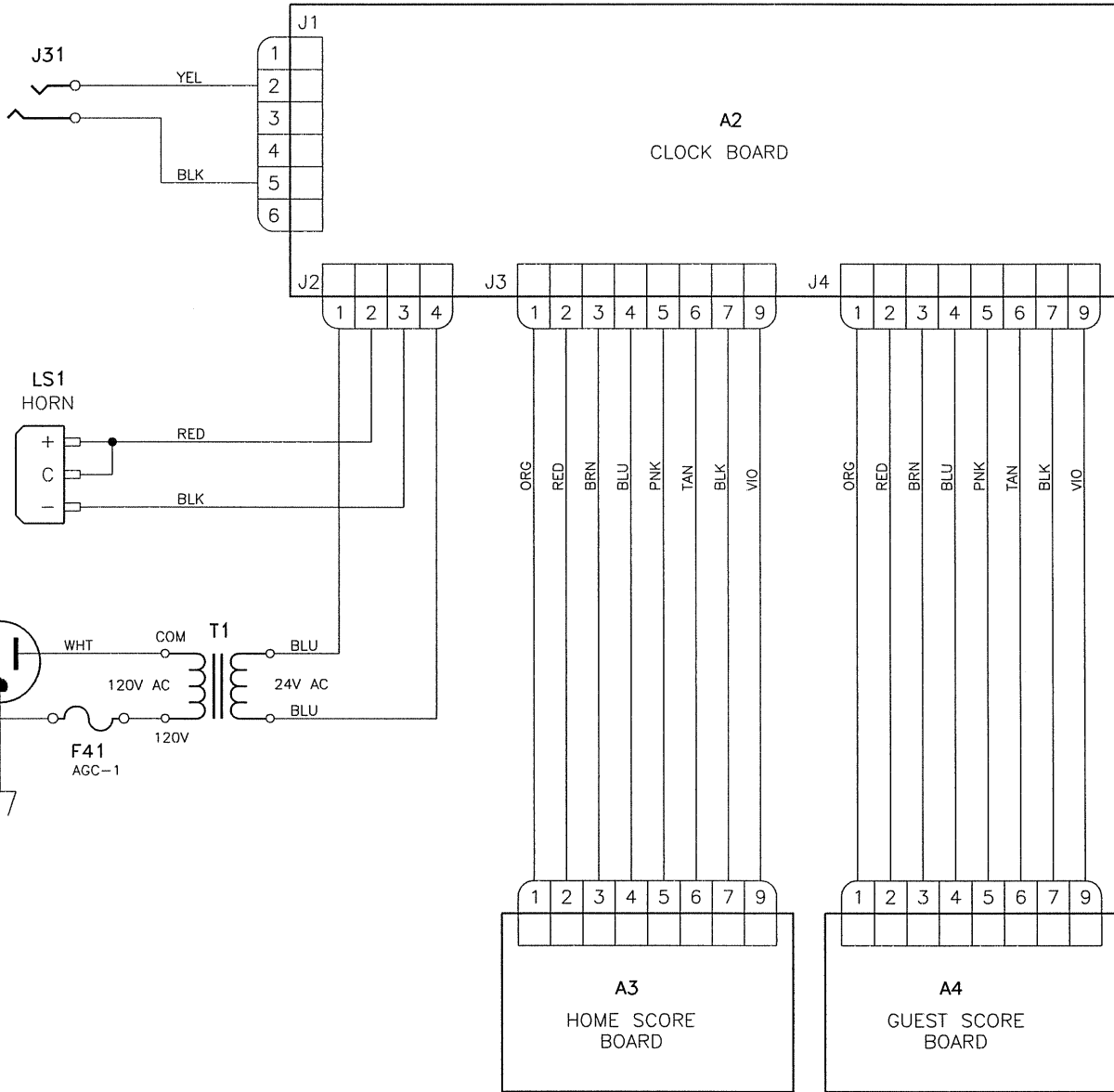
The schematic wiring diagram, **Drawing A-57571**, describes the power and signal wiring into the display and connections between printed circuit boards.

Replacement parts are as follows:

Description	Quantity	Daktronics Part Number
H Score, 3-Digit, Reg.	1	0P-1088-0003
G Score, 3-Digit, Reg.	1	0P-1088-0004
Clock, BB-114, CL	1	0P-1088-0006
Fuse; AGC-1, 1A, Glass tube	1	F-1019
Transformer; 24V CT @2A. P	1	T-1028
Fuse Hldr., 1 pos., Pnl. Mnt.	1	X-1032

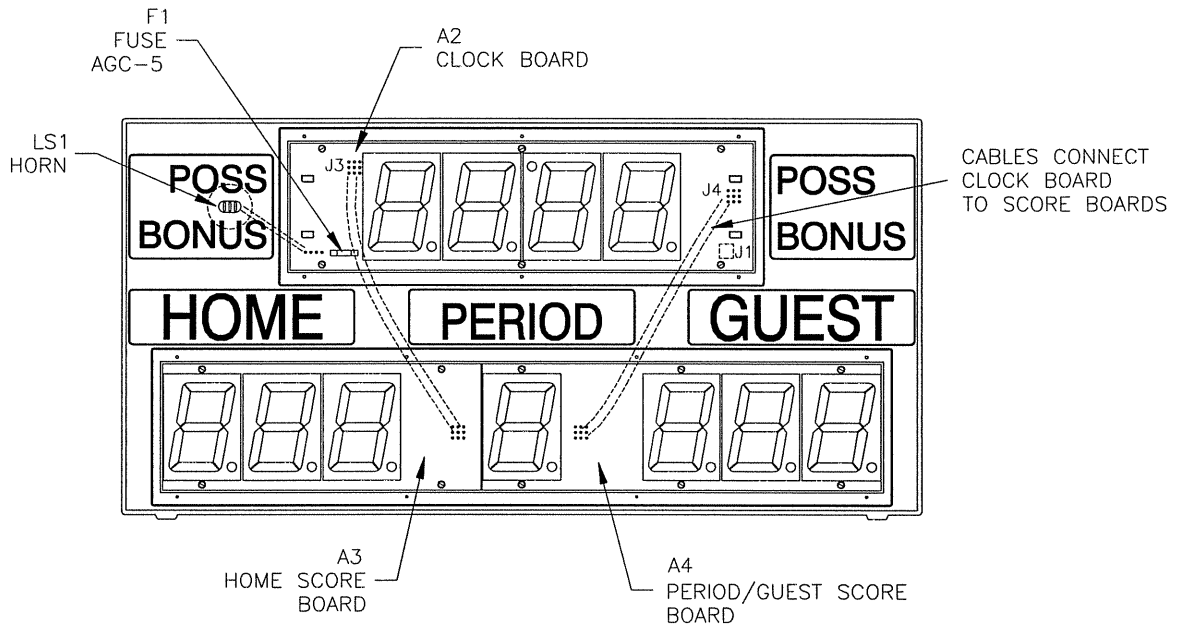
Component locations are shown in **Drawing A-109626**.



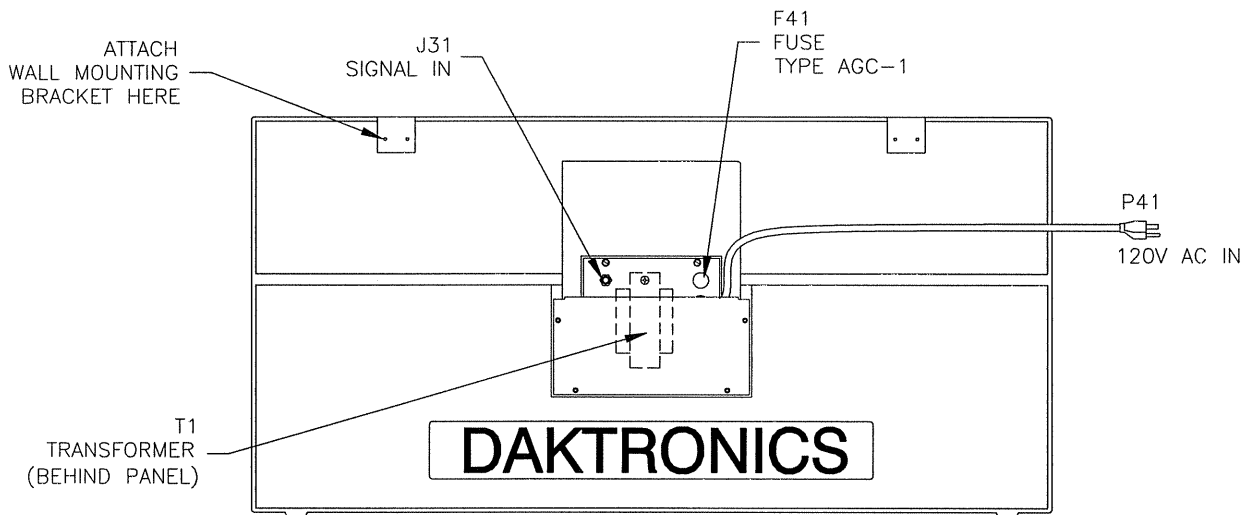


DAKTRONICS, INC. BROOKINGS, SD 57006	
PROJ: PORTABLE SCOREBOARD	
TITLE: SCHEMATIC, PWR/SIG, BB-114-CL	
DES. BY:	DRAWN BY: A VANBEMMEL DATE: 14JUL93
REVISION	APPR. BY:
	SCALE: NONE
1088-R03A-57571	

REV.	DATE	DESCRIPTION	BY	APPR.



FRONT VIEW  
SHOWN WITH BEZELS AND FILTERS REMOVED



REAR VIEW

DESIGNATION	DESCRIPTION	PART NUMBER
A1	CLOCK BOARD	OP-1088-0006
A2	HOME SCORE BOARD	OP-1088-0003
A3	PERIOD/GUEST SCORE	OP-1088-0004
T1	TRANSFORMER	T-1028
LS1	HORN	DS-1210
	DIGIT, RED 4" LED	DS-1246
F41	FUSE, TYPE AGC-1	F-1019
F1	FUSE, TYPE AGC-5	F-1003

DAKTRONICS, INC. BROOKINGS, SD 57006

PROJ:

TITLE: COMPONENT LOCATIONS, BB-114-CL

DES. BY: AVB

DRAWN BY: A VANBEMMEL

DATE: 18 NOV 98

REVISION

APPR BY:

SCALE: 1=8

1088-R04A-109626

REV.	DATE	DESCRIPTION	BY	APPR.