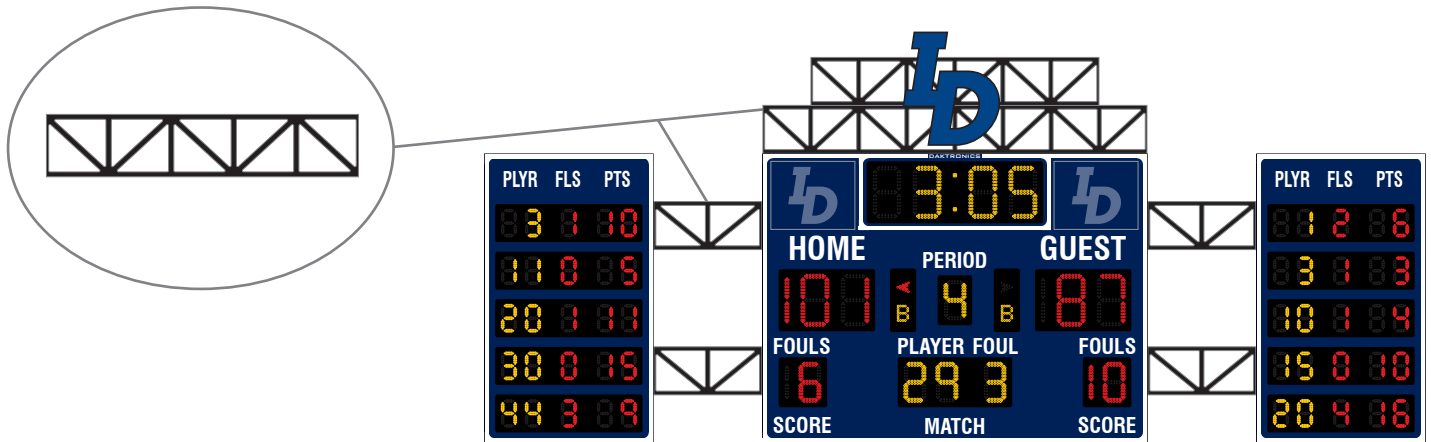


# DAKTRONICS DA-1501 PRODUCT SPECIFICATIONS



DA-1501 with BB-2103  
& SD-2101 (x2)

Enhance the appearance of any indoor display with diagonal truss decorative accent. Constructed of painted aluminum, truss can be added to the top or bottom of the display or used to visually join separate display pieces. Truss is shown above a scoreboard with optional lettering and as a decorative connection between statistic panels. This is only one example of the endless combinations to make a unique display.

MODEL	HEIGHT	WIDTH	DEPTH	WEIGHT
DA-1501-1.25	1' (305 mm)	1'-3" (381 mm)	2" (51 mm)	3 lb (1.4 kg)
DA-1501-2.25	1' (305 mm)	2'-3" (686 mm)	2" (51 mm)	5 lb (2.3 kg)
DA-1501-3	1' (305 mm)	3'-0" (914 mm)	2" (51 mm)	7 lb (3.2 kg)
DA-1501-4	1' (305 mm)	4'-0" (1.22 m)	2" (51 mm)	8 lb (3.6 kg)
DA-1501-5	1' (305 mm)	5'-0" (1.52 m)	2" (51 mm)	10 lb (4.5 kg)
DA-1501-6	1' (305 mm)	6'-0" (1.83 m)	2" (51 mm)	12 lb (5.4 kg)
DA-1501-7	1' (305 mm)	7'-0" (2.13 m)	2" (51 mm)	14 lb (6.4 kg)
DA-1501-8	1' (305 mm)	8'-0" (2.44 m)	2" (51 mm)	16 lb (7.3 kg)
DA-1501-10	1' (305 mm)	10'-0" (3.05 m)	2" (51 mm)	18 lb (8.2 kg)

## COLOR

Choose from 150+ colors (from Martin Senour® paint book) at no additional cost.

## CONSTRUCTION

Durable, lightweight aluminum

## MOUNTING

Truss is typically mounted to the wall or between scoreboard sections. Mounting brackets are included; wall anchors are not included. Refer to attached drawings.

## GENERAL INFORMATION

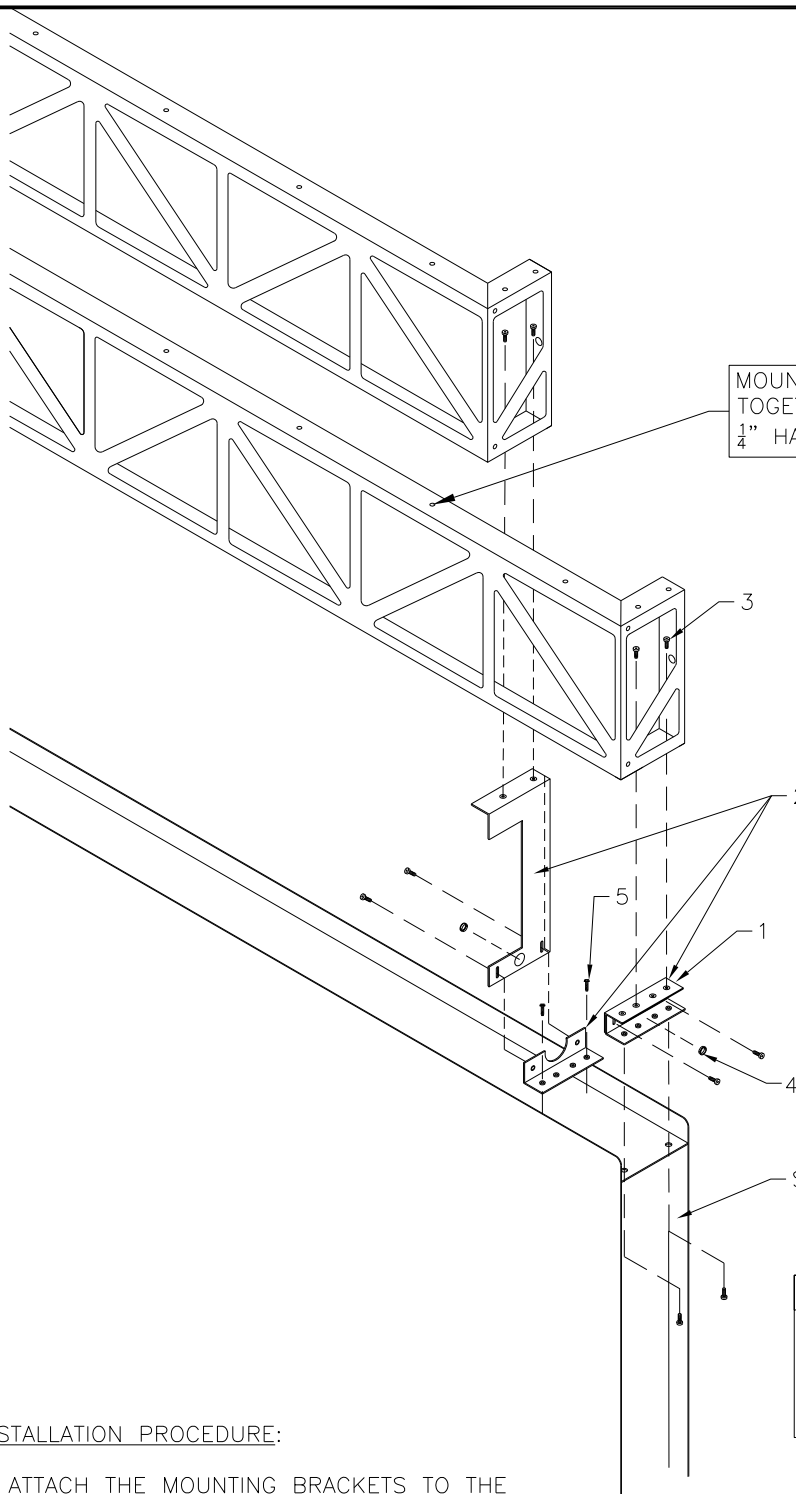
Truss is shipped in one section. Specifications and pricing are subject to change without notice.

## OPTIONS

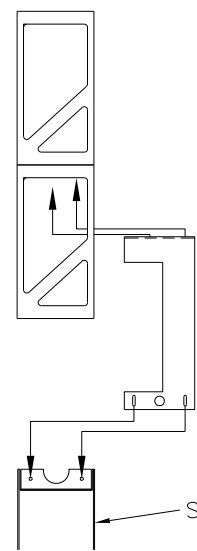
- Lettering and logo sheet metal cutouts

## FOR ADDITIONAL INFORMATION

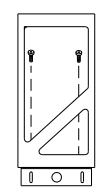
- Wall Mount Drawing: DWG-323515 (attached)
- Display Mount Drawing: DWG-250874 (attached)



MOUNT TRUSSES TOGETHER USING 1/4" HARDWARE



SCOREBOARD  
MOUNTING SECOND DECRATIVE ACCENTS



SINGLE HIGH DECRATIVE ACCENT



SCOREBOARD

0A-1348-1024

MTG KIT @1 DECRATIVE ACCENT HIGH		
DESCRIPTION	PART NUMBER	QTY
1. MTG BRKTS 1 HIGH	OS-1348-1029	2
3. SCREW, 10-24x5/8	HC-1470	12
4. BUSHING, 0.75 Ø	HE-1086	2

0A-1348-1025

MTG KIT @2 DECRATIVE ACCENTS HIGH		
DESCRIPTION	PART NUMBER	QTY
1. MTG BRKTS	OS-1348-1029	2
2. MTG BRKTS 2 HIGH	OS-1348-1030	2
3. SCREW, 10-24x5/8	HC-1070	20
4. BUSHING, 0.75 Ø	HE-1086	4
5. SELF TAPPING SCREW	HC-1151	4

INSTALLATION PROCEDURE:

- ATTACH THE MOUNTING BRACKETS TO THE TOP OR BOTTOM OF THE SCOREBOARD USING THE 10-24X5/8" SCREWS PROVIDED.
- ALIGN THE DECRATIVE ACCENT AGAINST THE BOTTOM (OR TOP) OF THE SCOREBOARD.
- SECURE THE BRACKETS TOGETHER WITH THE 10-24X5/8" SCREWS PROVIDED.

THE CONCEPTS EXPRESSED AND DETAILS SHOWN ON THIS DRAWING ARE CONFIDENTIAL AND PROPRIETARY. DO NOT REPRODUCE BY ANY MEANS, INCLUDING ELECTRONICALLY WITHOUT THE EXPRESSED WRITTEN CONSENT OF DAKTRONICS, INC. COPYRIGHT 2007 DAKTRONICS, INC.

DAKTRONICS, INC. BROOKINGS, SD 57006

PROJ: INDOOR DECRATIVE ACCENTS

TITLE: SHOP DWG: DA-1501 + DA-1502

DES. BY: WREICHL

DRAWN BY: WREICHL

DATE: 25 OCT 07

REVISION

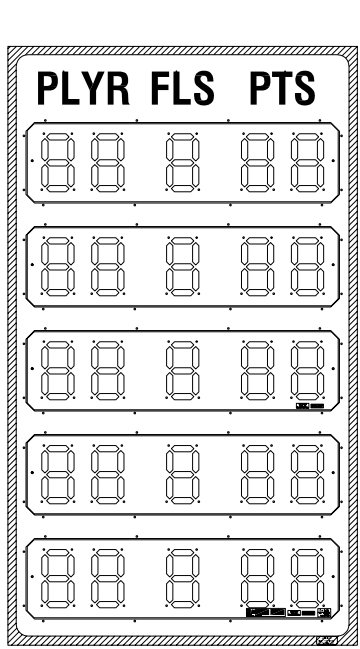
APPR. BY:

02

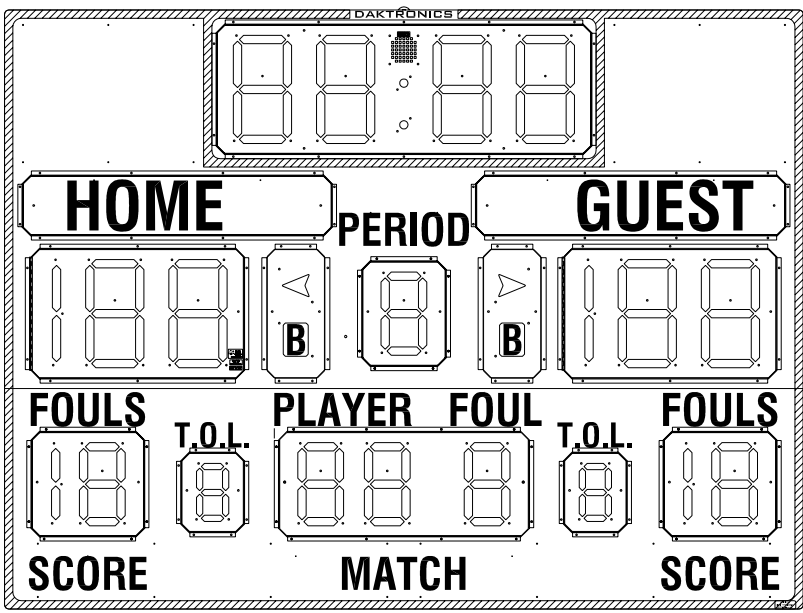
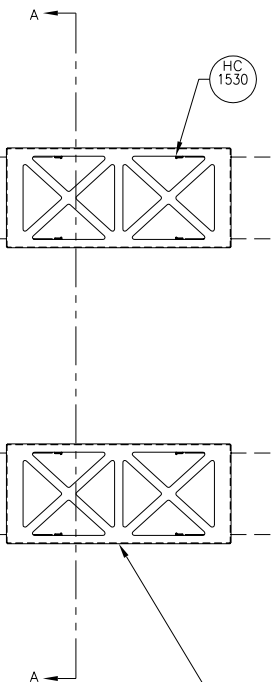
SCALE: 1=15

1348-E07A-323515

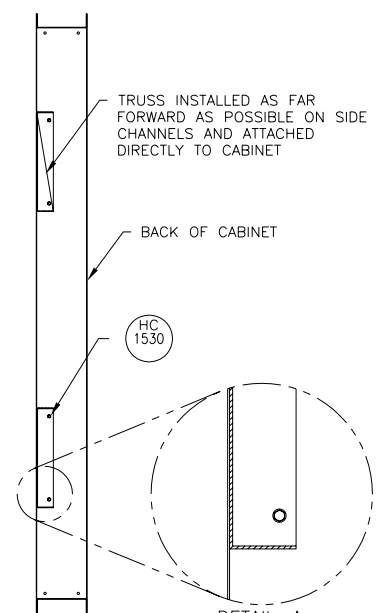
REV.	DATE	DESCRIPTION	BY	APPR.
02	20 OCT 09	EDITED HOLE LAYOUT ON MTG BRKTS, EDITED TEXT PER JANDRE	MLB	
01	28 AUG 08	FIXED BUSHING SIZE	DRO	



FRONT VIEW



FRONT VIEW



SECTION: A-A  
( 1 X SCALE )

DETAIL: A  
( 4 X SCALE )

OVERALL LENGTH AND STYLE OF TRUSS WILL VARY ON WHICH DECORATIVE ACCENT IS INSTALLED.

INSTALLATION NOTES

1. INSTALL THE CABINET HAVING THE MOST CRITICAL LOCATION REQUIREMENTS PER ORDER SPEC.
2. INSTALL TRUSS USING HC-1530 (#10 SELF TAPPING) HARDWARE. TYPE, QUANTITY, AND VERTICAL LOCATION OF TRUSS WILL BE SPECIFIED BY CUSTOMER. TRUSS(ES) SHOULD BE MOUNTED AS FAR FORWARD AS POSSIBLE ON SIDE CHANNELS OF PREVIOUSLY INSTALLED CABINET AS SHOWN IN SECTION VIEW.
3. POSITION NEXT CABINET AGAINST FREE END(S) OF TRUSS(ES) NOW INSTALLED ON PREVIOUS CABINET. TRUSS(ES) SHOULD ONCE AGAIN BE MOUNTED AS FAR FORWARD AS POSSIBLE ON SIDE CHANNELS OF CABINET AND INSTALLED USING HC-1530 HARDWARE.
4. REPEAT STEPS 2 AND 3 UNTIL ALL CABINETS HAVE BEEN INSTALLED.

THE CONCEPTS EXPRESSED AND DETAILS SHOWN ON THIS DRAWING ARE CONFIDENTIAL AND PROPRIETARY. DO NOT REPRODUCE BY ANY MEANS, INCLUDING ELECTRONICALLY WITHOUT THE EXPRESSED WRITTEN CONSENT OF DAKTRONICS, INC. COPYRIGHT 2005 DAKTRONICS, INC.

DAKTRONICS, INC. BROOKINGS, SD 57006

PROJ: INDOOR DECORATIVE ACCENTS

TITLE: INSTALLATION DETAIL, INSIDE TRUSS CONNECTION

DES. BY: EREBHAWN DRAWN BY: JFELDHA DATE: 12 AUG 05

REV.	DATE	DESCRIPTION	BY	APPR.
01	23 OCT 06	REMOVED TRUSS ASSEMBLY NUMBERS AND UPDATED NOTE.	KJB	

REVISION 01 SCALE: 1=15 1348-E10B-250874